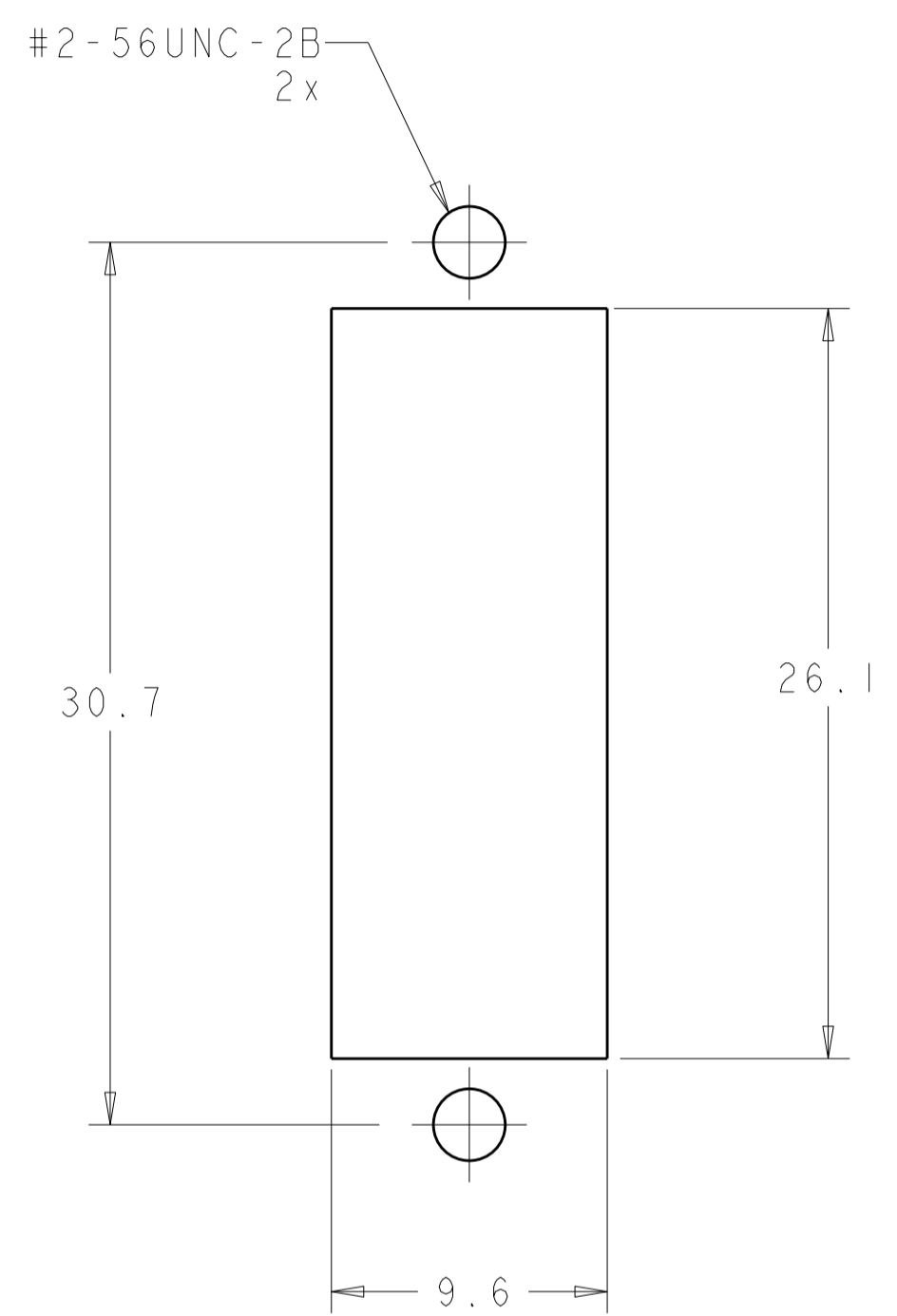
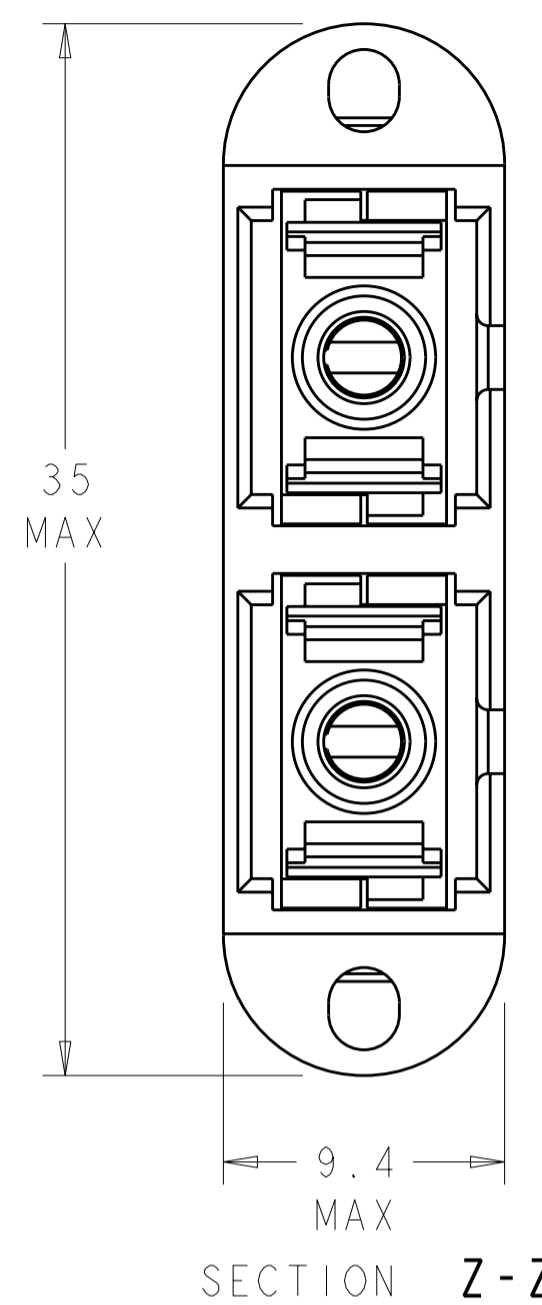
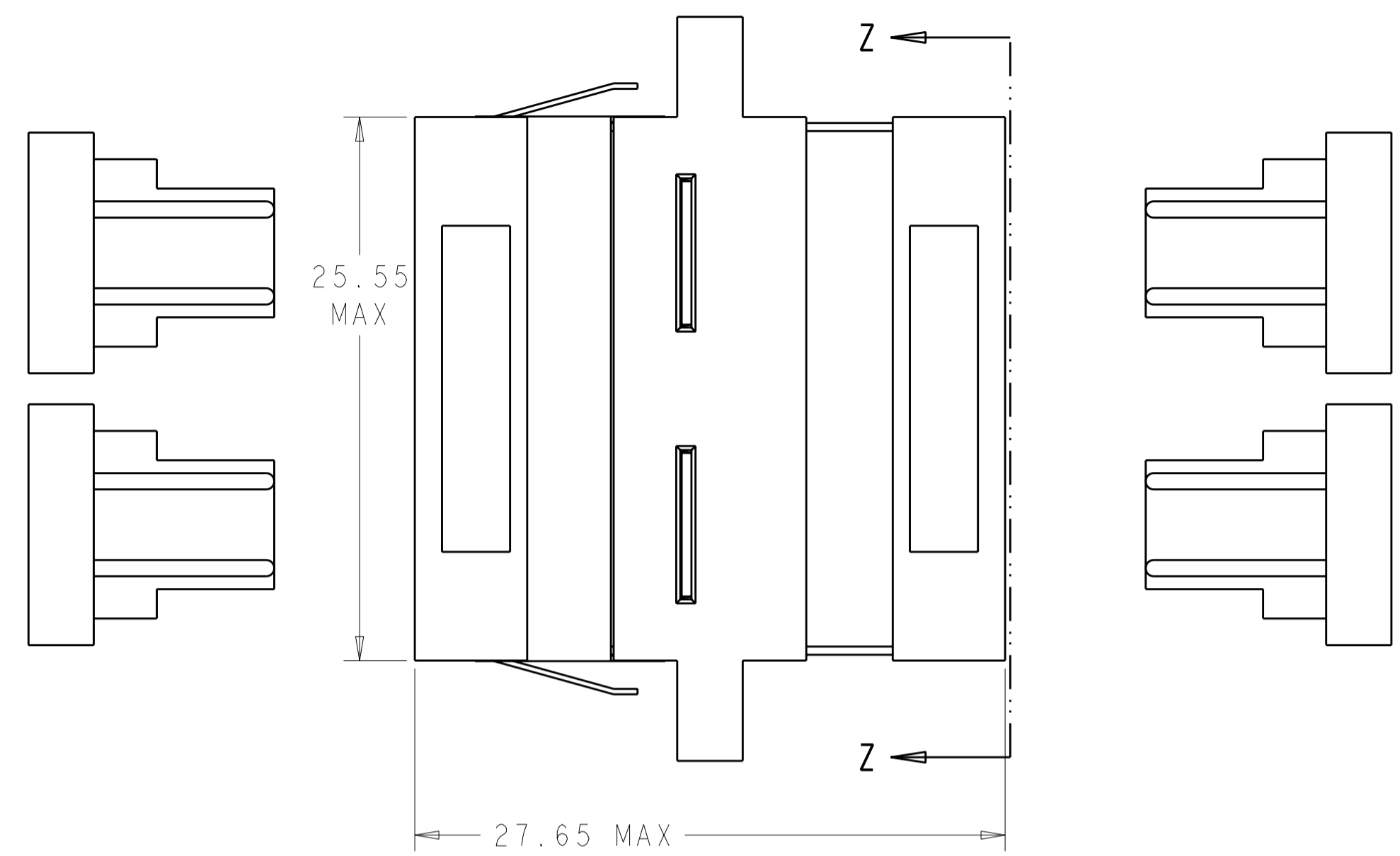


THIS DRAWING IS UNPUBLISHED. RELEASED FOR PUBLICATION 20
 © COPYRIGHT 20 BY TYCO ELECTRONICS CORPORATION. ALL RIGHTS RESERVED.

LOC	DIST	REVISIONS			
P	LTR	DESCRIPTION	DATE	DWN	APVD
CE	00				
	K	REVISE PER 0A00-0547-04	08NOV2004	BB	SM
	L	REVISE PER ECR-08-000844	23JAN2008	BB	SM

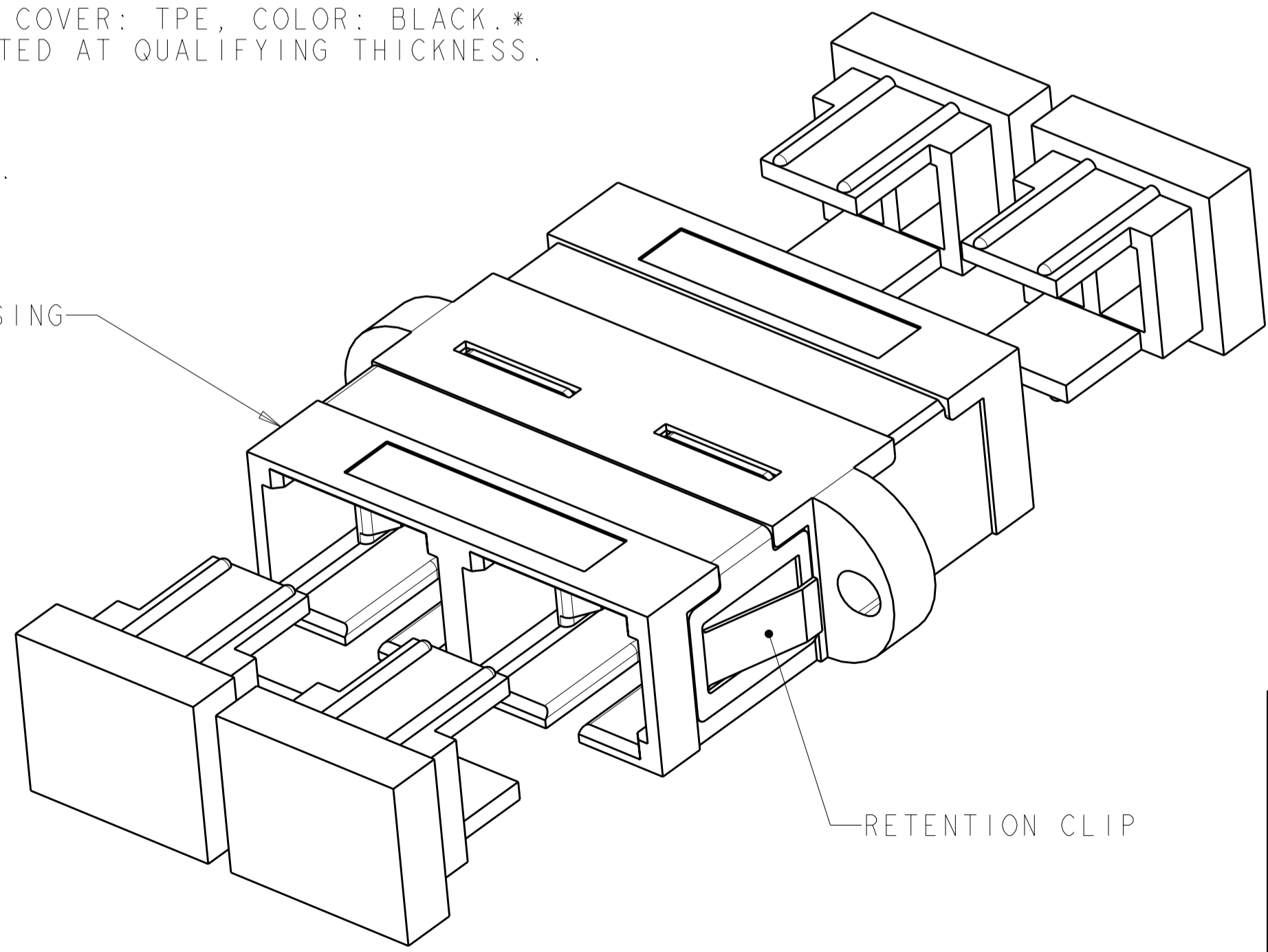


SUGGESTED PANEL CUTOUT
 MAX PANEL THICKNESS 1.7

1 MATERIAL:
 HOUSING: PBT-GF30, SEE DASH NUMBERS FOR COLOR.*
 RETAINER: PEI-GF30, COLOR: BLACK.*
 RETENTION CLIP: STAINLESS STEEL.
 ALIGNMENT SLEEVE: METAL.
 PROTECTIVE COVER: TPE, COLOR: BLACK.*
 *UL94 V-0 RATED AT QUALIFYING THICKNESS.

2 BULK PACKAGE.

DUPLEX HOUSING



RETENTION CLIP	BLACK	504640-4
NONE	LT ALMOND	504640-3
RETENTION CLIP	BEIGE	504640-2
RETENTION CLIP	BEIGE	504640-1
INCLUDED HARDWARE	COLOR	PART NUMBER

THIS DRAWING IS A CONTROLLED DOCUMENT FOR TYCO ELECTRONICS CORPORATION. IT IS SUBJECT TO CHANGE AND THE CONTROLLING ENGINEERING ORGANIZATION SHOULD BE CONTACTED FOR THE LATEST REVISION.		DWN B. BRIGGS 08NOV2004	Tyco Electronics Harrisburg, PA 17105-3608	
DIMENSIONS: mm		CHK S. MILLER 08NOV2004	NAME RECEPTACLE ASSEMBLY, DUPLEX, AMP SC TO SC, MULTIMODE	
TOLERANCES UNLESS OTHERWISE SPECIFIED: 0 PLC ± 1 PLC ±0.1 2 PLC ±0.05 3 PLC ± 4 PLC ± ANGLES ± FINISH		APVD S. BUCHTER 08NOV2004	SIZE A200779	DRAWING NO C-504640
MATERIAL		PRODUCT SPEC -	RESTRICTED TO -	
		APPLICATION SPEC -	SCALE 4:1	SHEET OF REV L
		WEIGHT -	CUSTOMER DRAWING	